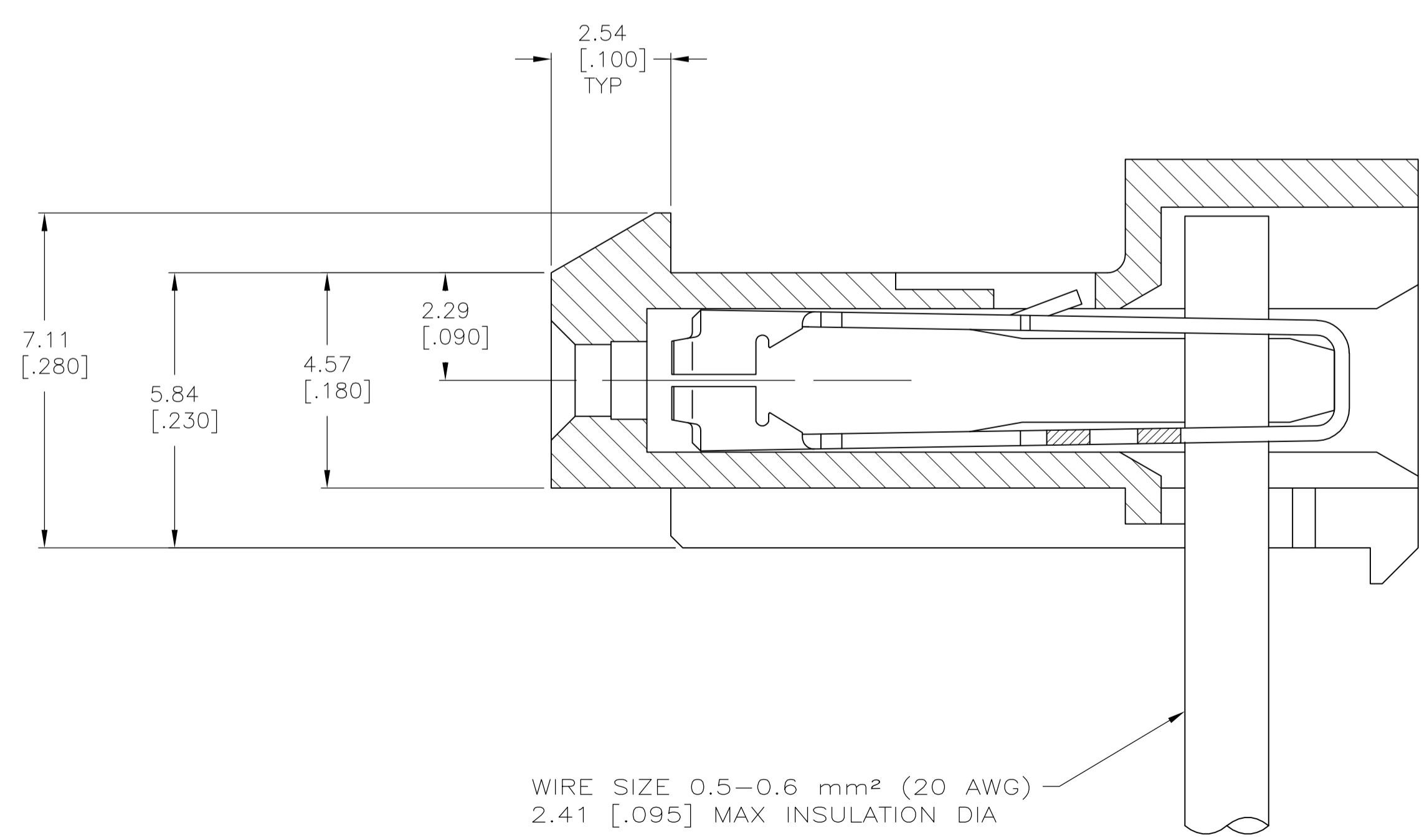


1. OPERATING TEMPERATURE: -55°C TO 105°C
2. MATERIAL: HOUSING, NYLON 6/6, UL 94V-0, BLACK CONTACT, 0.30 [.012] THICK COPPER ALLOY
3. FINISH: BRIGHT TIN-LEAD PLATE 0.00203-0.00508 [.000080-.000200"] THICK OR MATTE WHISKER MITIGATED TIN 0.00203 [.000080] MIN THICKNESS OVER NICKEL UNDERPLATE.
4. LUBRICATED WITH AMP ANTI-FRETTING LUBRICANT.
5. IDENTIFICATION NUMBER FOR FIRST CIRCUIT.
6. WIRE GAUGE IDENTIFICATION
7. DIMENSIONS IN BRACKETS ARE IN INCHES.
8. CONTACT MUST ACCEPT 1.14±0.03 [.045±.001] SQUARE POST AND REMAINED LOCKED IN POSITION.



TIN	47.55±0.30	[1.872±.012]	12	4-644370-2
TIN	43.59±0.30	[1.716±.012]	11	4-644370-1
TIN	39.62±0.30	[1.560±.012]	10	4-644370-0
TIN	35.66±0.30	[1.404±.012]	9	3-644370-9
TIN	31.70±0.30	[1.248±.012]	8	3-644370-8
TIN	27.74±0.30	[1.092±.012]	7	3-644370-7
TIN	23.77±0.30	[.936±.012]	6	3-644370-6
TIN	19.81±0.30	[.780±.012]	5	3-644370-5
TIN	15.85±0.15	[.624±.006]	4	3-644370-4
TIN	11.89±0.15	[.468±.006]	3	3-644370-3
TIN	7.92±0.15	[.312±.006]	2	3-644370-2
TIN-LEAD	47.55±0.30	[1.872±.012]	12	1-644370-2
TIN-LEAD	43.59±0.30	[1.716±.012]	11	1-644370-1
TIN-LEAD	39.62±0.30	[1.560±.012]	10	1-644370-0
TIN-LEAD	35.66±0.30	[1.404±.012]	9	644370-9
TIN-LEAD	31.70±0.30	[1.248±.012]	8	644370-8
TIN-LEAD	27.74±0.30	[1.092±.012]	7	644370-7
TIN-LEAD	23.77±0.30	[.936±.012]	6	644370-6
TIN-LEAD	19.81±0.30	[.780±.012]	5	644370-5
TIN-LEAD	15.85±0.15	[.624±.006]	4	644370-4
TIN-LEAD	11.89±0.15	[.468±.006]	3	644370-3
TIN-LEAD	7.92±0.15	[.312±.006]	2	644370-2

FINISH		A		NO OF CKTS	PART NO
THIS DRAWING IS A CONTROLLED DOCUMENT.		DIN S. CARPENTER 14AUG2003	Tyco Electronics Corporation Harrisburg, PA 17105-3608		
DIMENSIONS: mm [INCHES]		APVD D. ROSSI 14AUG2003	NAME MTA-156 CONNECTOR ASSEMBLY, QUAD, 20 AWG, WITH LOCKING RAMP		
TOLERANCES UNLESS OTHERWISE SPECIFIED:		PRODUCT SPEC 108-1219	APPLICATION SPEC 114-1048		
0 PLC ± -		SIZE	CAGE CODE	DRAWING NO	RESTRICTED TO
1 PLC ± -		WEIGHT	A1 00779	644370	-
2 PLC ± -		CUSTOMER DRAWING		SCALE 10:1	SHEET 1 OF 1
3 PLC ± 0.13 [.005]					
4 PLC ± -					
ANGLES ± -					

